

PixelPro Network Camera 5 Megapixel Dome Series



PixelPro AI

Features:


- Deep Learning based AI capable
- Fine tuned ISP(Image Signal Processor)
- H.265 Multiple profile streaming support
- Various bitrate control: CBR/ VBR/ VBR+
- Plug & Play with Pixelmaster NVR
- ONVIF profile S support
- Aluminum Die-casting with IP66
- P-IRIS type AF (MFZ) lens

AI Features


- Object detector

GANZ® SPECIFICATIONS

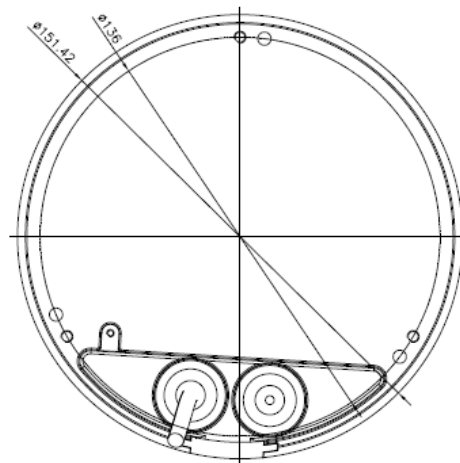
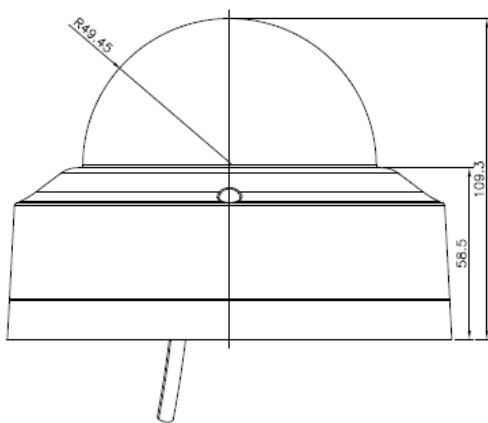
SPECIFICATION

Model	ZNC-VD5M212DLP-V
	
Image sensor	1/2.8" CMOS Progressive scan
Effective pixel	2592x1944
Min. Illumination	Color: 0.003 Lux @ (F1.4, AGC ON)
Electronic Shutter	Auto/Manual, 1/4 ~ 1/10000s
IR distance	30m
Day & Night	Auto (ICR) / Color / B/W / Schedule
Pan / Tilt / Rotation	353° / 70° / 227°
Focal Length / Focus	2.8 ~ 12mm / Auto
Aperture	F1.4 ~ F2.8
Iris	P-Iris
Angle of View FOV (H/V/D)	95.9/67.3/123.7 ~ 29.8/22.3/36.51 (TBD)
Video Compression	H.264 / H.265
Streaming capacity	Triple Streaming + SVC Stream (3 x H.264/H.265 + 1 x SVC + 1 x JPEG)
Stream	Main Stream: 2592x1944, 2592x1520, 2304x1296, 2048x1536, 1920x1080, 1280x1024, 1024x768, 1280x720, 704x576, 704x480, 640x480, 640x360, 352x288, 352x240 Second/Third Stream : 640x480, 640x360, 352x288, 352x240
Video Frame rate	2592x1944 25fps
Video Bit Rate Control	CBR/VBR/VBR+
Image enhancement	TBD
White balance	ATW / Manual
Gain control	Auto
Noise reduction	3D DNR
Motion detection	Off / On (4 Zone, Rectangle)
Region of Interest	Auto / Manual (8 Zone)
Flip Horizontal / Flip Vertical	Yes
Privacy masking	On / Off (4 Area, Rectangle)
Audio compression	G.711
Network	10/100Mbps
Protocol	IPv4, IGMP, ICMP, ARP, TCP, UDP, DHCP, RTP, RTSP, RTCP, DNS, DDNS, NTP, SMTP, FTP, UPnP, HTTP, HTTPS, SSL/TLS
Compatibility	ONVIF (Profile S), CGI
Management software	DMS
Alarm In/Out	1 / 1
Audio In/Out	1 / 1
Analogue Out	1
Storage	microSD

SPECIFICATION

Model	ZNC-VD5M212DLP-V
	
Power supply	PoE / DC12V / AC24V
Power consumption	TBD
Operating conditions	-20°C ~ 50°C / 0%~90%
Ingress Protection	IP66
Vandal Resistance	IK10
Dimensions	ø151.4mm x 109.3mm
Net weight	900g
Gross weight	1.1kg
Certifications	CE, FCC

DIMENSIONS (unit:mm)



Licence Info

License	Prerequisite	Description
ZNS-AI-A00	Included	Algorithm optimized for the differentiation of persons and objects





Click here for Videos and further Information

COMPATIBLE WITH:



ACCESSORY

Model	ZA-JCB-S2M25	ZA-SRC
Type	Junction Box	Sun-/Rain Cover
		



Subject to technical changes and errors. 072020 v1.4

CBC (Europe) GmbH
Fritz-Vomfeldestr. 6
D-40547 Düsseldorf
T: +49-(0)211 53 06 70
F: +49-(0)211 53 06 71 80
info@cbc-europe.com
www.cbc-europe.com

CBC (Poland) Sp.z.o.o
Oddział w Warszawie
ul. Anny German 12
PL-01-794 Warsaw
T: +48-(0)22 6 33 90 90
F: +48-(0)22 6 33 90 60
info@cbcpoland.pl
www.cbcpoland.pl

CBC Russia Moscow Rep. office
Office 503B World Trade Center
12 Krasnopresnenskaya nab.
RU-123610 Moscow
T: +7-495 258 2161
F: +7-495 258 2160
info@cbc.ru
www.cbc.ru

CBC EUROPE S.r.l.
Via Umberto I, 69
I-20814 - VAREDO (MB)
T: +39-0362 36 50 79
F: +39-0362 4 00 12
info@cbceurope.it
www.cbceurope.it

CBC (EUROPE) GmbH UK Branch
Churchill House, Suite 81
137-139 Brent Street
London NW4 4DJ UK
T: +44-(0)20 8457 2618
info@cbcuk.com
www.cbc-europe.com