

Ganz Genstar IP Thermal / Optical



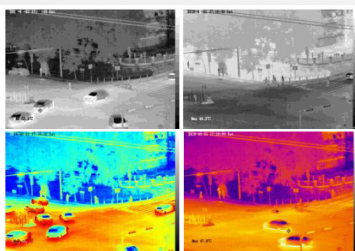
Main Camera



Continuous calibration unit

- Uncooled IRFPA Microbolometer
- Effective Pixels 400×300
- Sensitivity 40mK
- Thermal: 8mm Fixed lens, Visible: 2.7 - 12mm motorized lens
- Accuracy $\leq 0.3^{\circ}\text{C}$
- Support Body detection, up to 16 Targets
- Response Time 30ms
- Support 17 color control

Image Color Modes:



Smart Body Detection:



IVS Security:



Ganz Genstar IP Thermal / Optical



Technical specifications	ZNT8-BOF8-TASX4-XT
Detector Type	Uncooled IRFPA Microbolometer
Effective Pixel	400(H) × 300(V)
Pixel Pitch	17um
Sensitivity	40mK @F1.0, 300K
Spectral Range	8 ~ 14um
Image Setting	Polarity LUT / DVE/ Mirror/ FCC / 3D DNR / Brightness / Contrast / ROI
Color Palettes	Black-Heat / White-Heat / Rainbow / Iron-Red up to 17 modes
Focus Control	Manual Focus
Focal Length	8mm
F No.	F1.0
Angle of View	H: 46°, V: 35°
Image Sensor Optical	1/1.9" Sony CMOS
Effective Resolution Optical	1920(H) × 1080(V)
Shutter Speed Optical	1/50 ~ 1/64,000s
Wide Dynamic Range Optical	True WDR 120dB
Min. Illumination Optical	Color: 0.01Lux @ (F1.2, AGC ON) B/W: 0.001Lux @ (F1.2, AGC ON)
S/N Ratio Optical	More than 55dB
Focal Length Optical	2.7 ~ 12mm
Max Aperture Optical	F1.6 ~ F2.9
Angle of View Optical	105° ~ 32°
Optical Zoom	Motorized
Focus Control	Motorized
Close Focusm Distance	0.2m
Compression	H.265, H.264, MJPEG
Frame Rate	Main Stream: Thermal: D1 @25/30fps Visible: 1920×1080/1280×720 @25/30fps Sub Stream: Thermal: CIF @25/30fps Visible: D1/VGA/640×360/CIF/QCIF/QVGA @25/30fps
Bit Rate Control	CBR/VBR
Bit Rate	Thermal: 100Kbps ~ 6Mbps Visible: main stream: 500Kbps ~ 10Mbps; sub stream: 100Kbps ~ 6Kbps
Region of Interest	Off / On (8 Zone, Rectangle)
Electronic Image Stabilization	N/A

Ganz Genstar IP Thermal / Optical



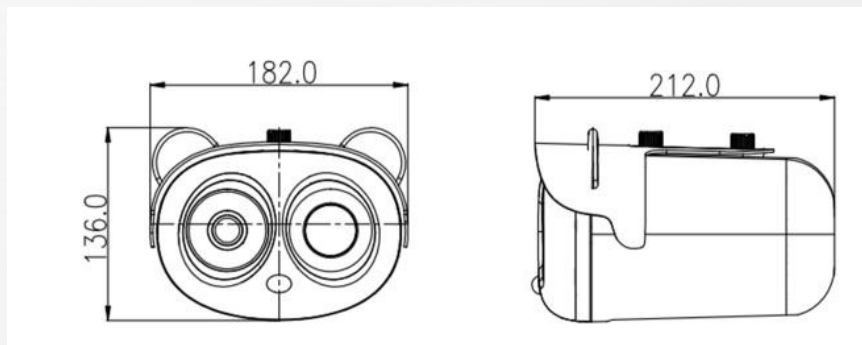
Technical specifications	ZNT8-B0F8-TASX4-XT
Digital Zoom	16x
Mirror	Yes
Defog	Yes
Motion Detection	Yes
Privacy Masking	Off / On (4 Area, Rectangle)
DVE Image Enhance	Yes
Audio Compression	G.711, AMR, RAW_PCM (Optional)
Smart Alarm	Motion detection, Disk alarm, I/O alarm, Temperature alarm, Temperature warning
IVS	Smart Body Detection, Perimeter, Single Virtual Fences, Double Virtual Fences Object Left, Object Removed
Detection Mode	Body temperature monitoring
Detection Preset	Max 16
Temperature Alarm	Over temperature alarm, Temperature difference alarm
Accuracy	≤ 0.3 °C (Emission rate, distance, ambient temperature, etc.)
Response Time	≤30ms
Theory of Temperature measurement range	-20 °C ~ 60 °C (-4°F ~ 140°F)
Temperature display mode	Temperature target >5°C, Display absolute temperature value; Temperature target ≤5°C Display relative temperature value (temperature difference DEV = highest value - average)
Ethernet	RJ-45 (10/100Base-T)
Protocols	IPv4/IPv6, HTTP, RTSP/RTP/RTCP, TCP/UDP, DHCP, DNS, PPPOE, SMTP, SIP, 802.1x
Interoperability	ONVIF, CGI
Streaming Method	Unicast
Max. User Access	10 Users
Edge Storage	NAS, Local PC for instant recording, Micro SD card 128GB
Web Viewer	<IE11, Firefox, Chrome
Web Language	English, Chinese, Polish, Italian, Portuguese, Spanish, Russian, French, Czech, Hungarian
Ethernet	1 Ethernet (10/100 Base-T) RJ-45 Connector
Audio Interface	1ch Audio In, 1ch Audio Out
Alarm	2ch Alarm In, 2ch Alarm Out
RS485	Yes
BNC Output	-
Reset Button	Yes (built-in)

Ganz Genstar IP Thermal / Optical



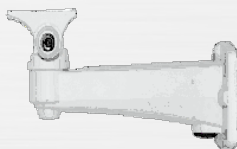
Technical specifications	ZNT8-B0F8-TASX4-XT
Power Supply	DC12V / POE
Power Consumption	Max. 10W
Operating Temperature	-30 °C ~ 60 °C (-22°F ~ 140 °F)
Storage Conditions	0 ~ 90% RH
Certifications	CE / FCC
Ingress Protection	IP66
Casing	Metal
Dimensions	212 × 182 × 136mm
Net Weight	2kg

Dimensions



Accessory

Wallmount (included)



ZA8-BK346

Pendant mount



ZA8-BK350
For Camera

Pendant Mount



ZA8-BK350A
For Continuous calibration unit

Tripod



ZA8-BK360