

# PixelPro Network Camera 4 Megapixel Dome Series






## **GANZ** **PixelPro**

### Features:

- 4 megapixel resolution
- 2.8 - 12mm motorized varifocal / 2.8mm fix lens
- Proset system allows you to zoom and focus directly from your PC
- True WDR (Wide Dynamic Range)
- True Day/Night performance
- Smart IR LEDs
- Videoanalytics
- Triple power (12VDC/24VAC/PoE)
- External alarm / audio I/O

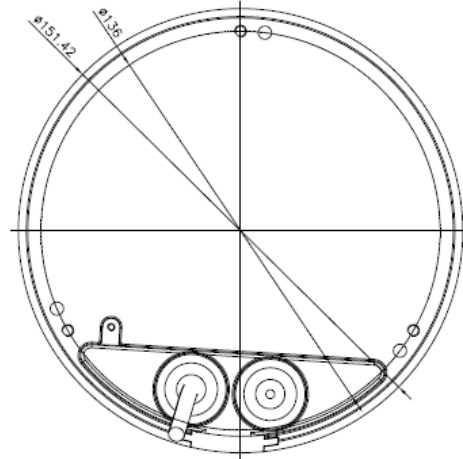
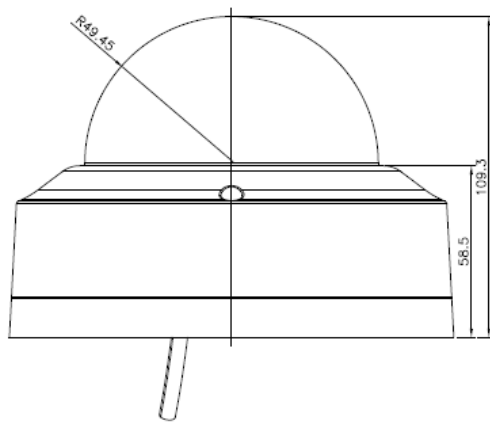
**GANZ**® SPECIFICATIONS

## SPECIFICATION-1 (Camera, Lens and Network)

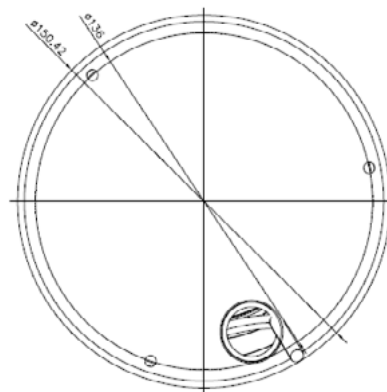
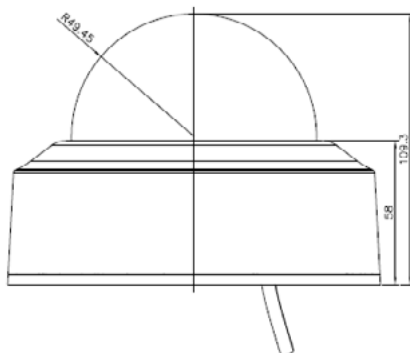
| Model                     | ZN-VD4M212-DLP                                                                    | ZN-D4M212-DLP                                                                      | ZN-VD4F28-DL                                                                        |
|---------------------------|-----------------------------------------------------------------------------------|------------------------------------------------------------------------------------|-------------------------------------------------------------------------------------|
|                           |  |  |  |
| SoC                       | Hi3516D                                                                           |                                                                                    |                                                                                     |
| Max res & Frame rate      | 2592 x 1520 / 25fps                                                               |                                                                                    |                                                                                     |
| Sensor                    | 1/3" OV4689                                                                       |                                                                                    |                                                                                     |
| Recording Pixels          | 2592 x 1520                                                                       |                                                                                    |                                                                                     |
| Lens                      | MFZ 2.8 ~ 12mm                                                                    |                                                                                    | f=2.8mm                                                                             |
| Iris                      | p-iris                                                                            |                                                                                    | fixed iris                                                                          |
| Optical Zoom              | x4.3                                                                              |                                                                                    | -                                                                                   |
| Angle of View (H / V / D) | 99 / 53 / 113 (w), 31 / 18 / 35 (t)                                               |                                                                                    | 106 / 60 / 124                                                                      |
| Day & Night               | Removable IR Cut Filter                                                           |                                                                                    |                                                                                     |
| D -> N threshold          | SW selectable                                                                     |                                                                                    |                                                                                     |
| N -> D threshold          | SW selectable                                                                     |                                                                                    |                                                                                     |
| IR Number / Distance      | 30m, Smart IR                                                                     | 15m, Smart IR                                                                      |                                                                                     |
| Min. illumination         | 0.1Lx / F1.2 at color                                                             |                                                                                    |                                                                                     |
| DC 12V                    |                                                                                   |                                                                                    | Yes                                                                                 |
| AC 24V                    | Yes                                                                               |                                                                                    | -                                                                                   |
| PoE 48V                   | Yes                                                                               |                                                                                    |                                                                                     |
| PoE class                 | class-2                                                                           |                                                                                    |                                                                                     |
| Heater                    | -                                                                                 |                                                                                    |                                                                                     |
| Micro SD Card             | Yes                                                                               |                                                                                    |                                                                                     |
| Analog Video Out          | Yes (Installation Only)                                                           |                                                                                    |                                                                                     |
| Alarm In / Out            | 1 / 1                                                                             |                                                                                    |                                                                                     |
| Audio In / Out            | 1 / 1                                                                             |                                                                                    |                                                                                     |
| Audio CODEC               | G.711                                                                             |                                                                                    |                                                                                     |
| FAN                       | -                                                                                 |                                                                                    |                                                                                     |
| Ambient Temperature       | -10 ~ +50°C                                                                       |                                                                                    |                                                                                     |
| Ambient Humidity          | less than 90%, Non-condensing                                                     |                                                                                    |                                                                                     |
| Materials                 | aluminum diecasting                                                               | Polycarbonate                                                                      | aluminum diecasting                                                                 |
| Weight                    | 0.8kg                                                                             | 0.4kg                                                                              |                                                                                     |
| Dimensions mm             | 151.42Ø x 109.3H                                                                  |                                                                                    | 114Ø x 81.81H                                                                       |
| IK Rating                 | IK10                                                                              | -                                                                                  |                                                                                     |
| IP Rating                 | IP67                                                                              | -                                                                                  |                                                                                     |
| 3D DNR                    | Yes                                                                               |                                                                                    |                                                                                     |
| WDR                       | tWDR                                                                              |                                                                                    |                                                                                     |
| Image Compression         | H.264 / H.265 (on request)                                                        |                                                                                    |                                                                                     |
| VBR+                      | Yes                                                                               |                                                                                    |                                                                                     |
| Streaming                 | Triple Streaming (2 x H.264/H.265 + 1 x Jpeg)                                     |                                                                                    |                                                                                     |
| Video Analytics           | Yes                                                                               |                                                                                    | -                                                                                   |
| SDK                       | HTTP based API, Onvif Profile S                                                   |                                                                                    |                                                                                     |

## DIMENSIONS (Unit:mm)

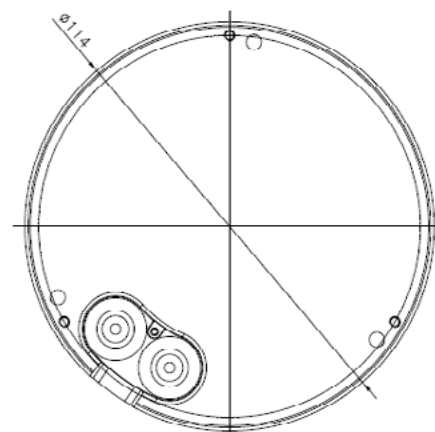
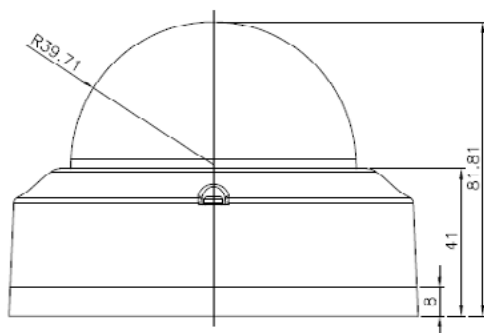
### Camera Unit [ZN-VD4M212-DLP]



### [ZN-D4M212-DLP]



### [ZN-VD4F28-DLP]



## COMPATIBLE WITH:

Check our website or contact customer service for most updated information.

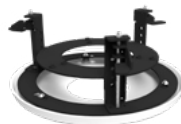


## ACCESSORY

| Model | <b>ZA-JB</b>                                    | <b>ZA-JB-M</b>               | <b>ZA-SRC</b>                                     |
|-------|-------------------------------------------------|------------------------------|---------------------------------------------------|
| Type  | Junction Box<br>ZN-D4M212-DLP<br>ZN-VD4M212-DLP | Junction Box<br>ZN-VD4F28-DL | Sun-/Raincover<br>ZN-D4M212-DLP<br>ZN-VD4M212-DLP |



| Model | <b>ZA-FMB</b>                                       | <b>ZA-PMA</b>                                    | <b>ZA-WMB</b>                                         |
|-------|-----------------------------------------------------|--------------------------------------------------|-------------------------------------------------------|
| Typ   | In-Ceiling Mount<br>ZN-D4M212-DLP<br>ZN-VD4M212-DLP | Pendant Mount<br>ZN-D4M212-DLP<br>ZN-VD4M212-DLP | Wall Mount Bracket<br>ZN-D4M212-DLP<br>ZN-VD4M212-DLP |



Subject to technical changes and errors. 062018 v1.5

CBC (Europe) GmbH  
Hansaallee 191  
D-40549 Düsseldorf  
T: +49-(0)211 53 06 70  
F: +49-(0)211 53 06 71 80  
info@cbc-europe.com  
www.cbc-europe.com

CBC (Poland) Sp.z.o.o  
Oddział w Warszawie  
ul. Anny German 12  
PL-01-794 Warsaw  
T: +48-(0)22 6 33 90 90  
F: +48-(0)22 6 33 90 60  
info@cbcpoland.pl  
www.cbcpoland.pl

CBC Russia Moscow Rep. office  
Office 503B World Trade Center  
12 Krasnopresnenskaya nab.  
RU-123610 Moscow  
T: +7-495 258 2161  
F: +7-495 258 2160  
info@cbc.ru  
www.cbc.ru

CBC (Europe) Srl  
Via E. Majorana, 2  
I-20834 Nova Milanese (MB)  
T: +39-0362 36 50 79  
F: +39-0362 4 00 12  
info@cbceurope.it  
www.cbceurope.it

CBC (EUROPE) GmbH UK Branch  
Churchill House, Suite 81  
137-139 Brent Street  
London NW4 4DJ UK  
T: +44-(0)20 8457 2618  
info@cbcuk.com  
www.cbc-europe.com