

H21Z1015AMS

21X 10mm-210mm F1.5
for 1/2 type Cameras, Motorized Zoom
C-Mount

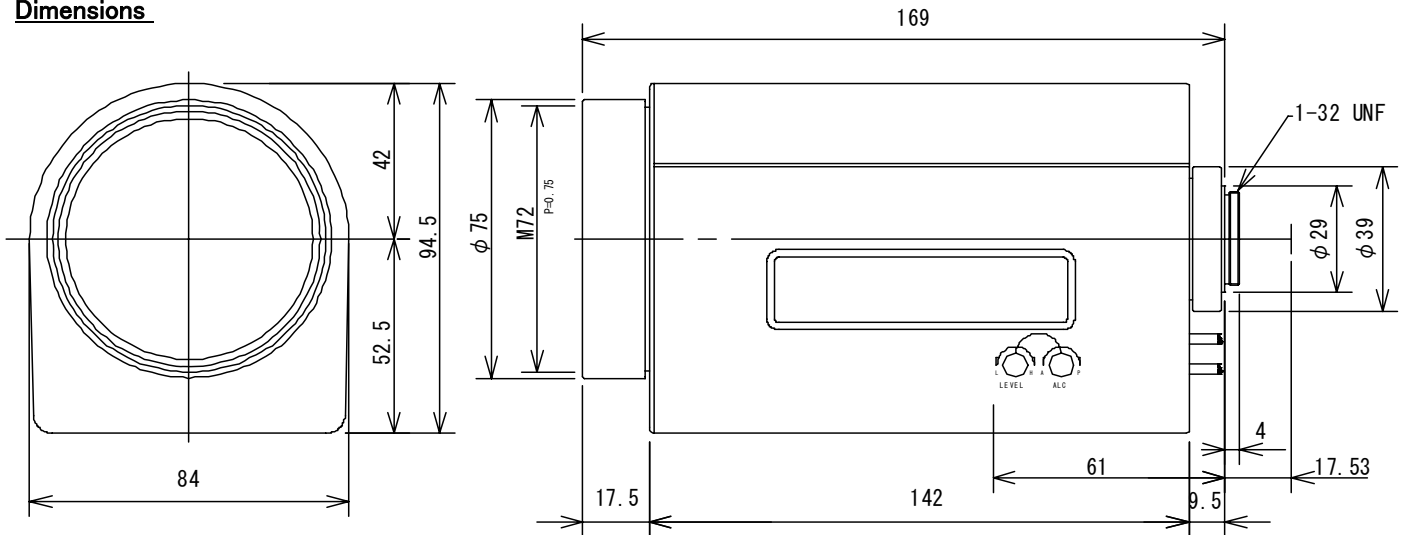
with Video Auto Iris

Model No.	H21Z1015AMS		Effective	Front	φ 65mm			
Focal Length	10mm - 210mm		Lens Aperture	Rear	φ 11.5mm			
Max. Aperture Ratio	1:1.5		Back Focal Length		13.91mm			
Max. Image Format	6.4mm x 4.8mm(φ 8mm)		Flange Back Length		17.526mm			
Operation Range	Iris	F1.5 - F1000 (W/ND Filter)	Mount		C-Mount			
	Focus	2m - Inf.	Filter Size		M72 P=0.75mm			
	Zoom	10mm - 210mm	Tripod Screw		1/4 -20UNC			
Control	Iris	Video Auto Iris	Dimensions		W84mm x H94.5mm x D169mm			
	Focus	Motorized	Weight		1050g			
	Zoom	Motorized						
Object Dimension at M.O.D.	10mm	120.2cm X 89.6cm						
	210mm	5.9cm X 4.4cm						
Angle of View	D	1/2 type	44.2° - 2.7°	1/3 type	33.4° - 1.67°	1/4 type	25.0° - 1.25°	
	H		35.6° - 1.78°				26.8° - 1.35°	20.2° - 1.02°
	V		26.8° - 1.35°				20.2° - 1.02°	15.2° - 0.77°
		Iris	Focus		Zoom			
Supply Voltage	DC6-12V		DC6-12V		DC6-12V			
Current	40mA or less		40mA or less		40mA or less			
Response Time	4-8 sec.		Approx. 9 sec.		Approx. 9 sec.			
Preset Potentiometer	-		-		-			
Light Weighting method	Adjustable between Average-Peak (to be set at Average at Factory)							
Input Signal	Video Signal (V. or V.S.)							
Iris Accuracy	± 15% at Video Signal Level							
Sensitivity Adjustment	0.4V(p-p) - 1.0V(p-p) (Video Signal)							
Input Impedance	High Impedance							
Operating Temperature	-10°C - +50°C							

1/2
type

C

Dimensions



Wiring Diagram

Iris, Focus & Zoom

